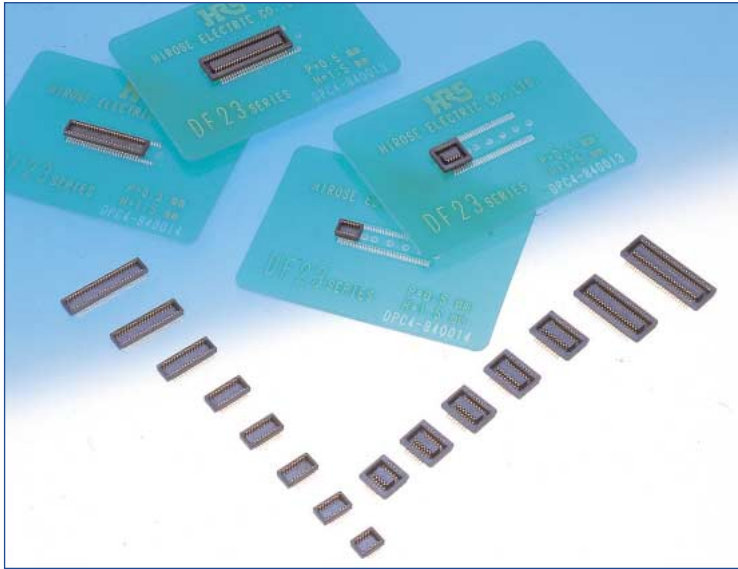


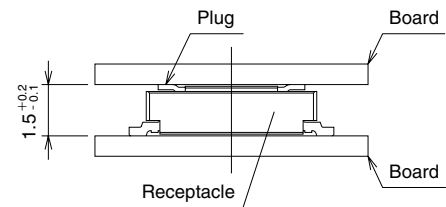
0.5mm Pitch Low-Profile Board-to-Board/Board-to-FPC Connectors

DF23 Series

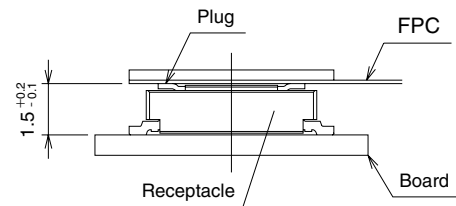


Low profile - 1.5 mm board-to-board distance

● Board-to-Board Application



● Board-to-FPC Application



■ Features

1. Low Profile

The 1.5 mm board-to-board distance makes these connectors ideal for limited space applications.

2. Large variety of Number of Contacts

Available with 10, 14, 16, 18, 20, 30, 40, 50, and 60 contacts.

Connectors with 10 to 20 contacts are ideal for use in small LCD connections in cellular phones, PDA's, video equipment, photo cameras and miniature of other devices requiring reliable connections in a small spaces.

3. Click Sensation

Positive click sensation when completely mated confirms correct insertion and connection of all contacts.

4. High Contact Reliability

Although connectors are low profile, the female contacts maintain reliable spring force assuring secure electrical contact.

5. Large Self-alignment

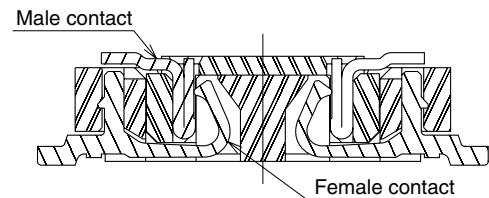
The large range of alignment of 0.3 mm allows for smooth insertion.

6. Board placement with Automatic Equipment

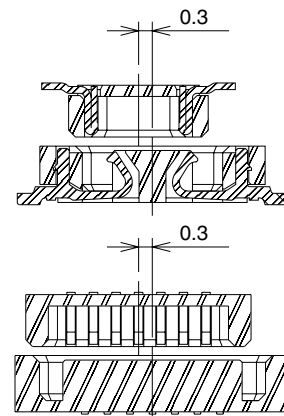
Flat surfaces allows placement of embossed tape packaged connectors with vacuum nozzles.

Versions with positioning bosses are available – contact Hirose for specifics.

High Contact Reliability



Large Self-alignment



■ Applications

Mobile phones, PDA's, notebook PC's, digital cameras and other miniature devices.

Product Specifications

Ratings	Current rating	0.3A	Operating temperature range	-35°C to 85°C (Note 1)	Storage temperature range	-10°C to 60°C (Note 2)
	Voltage rating	50V AC	Operating humidity range	20% to 80%	Storage humidity range	40% to 70% (Note 2)

Item	Specification	Condition
1. Insulation resistance	500M ohms min.	Measured at 100V DC
2. Withstanding voltage	No flashover or insulation breakdown	Conduction of 150V AC for 1 minute
3. Contact resistance	60m ohms max.	Measured at 100mA
4. Vibration	No momentary disconnections of 1 μs min	Frequency of 10 to 55 Hz, single amplitude of 0.75 mm, in 3 directions for 2 hours
5. Humidity resistance	Contact resistance of 60 m ohms max., insulation resistance of 250 M ohms min.	Temperature of 40°C±2°C, humidity of 90% to 95%, 96 hours
6. Temperature cycle	Contact resistance of 60 m ohms max., insulation resistance of 500 M ohms min.	(-55°C : 30minutes →5 to 35°C : 10minutes →85°C : 30minutes →5 to 35°C: 10minutes) for 5 cycles
7. Durability	Contact resistance of 60m ohms max.	50 cycles (mating/unmating)
8. Resistance to reflow heat	No deformation of the insulator parts affecting performance	Reflow: At recommended temperature profile Manual soldering: Soldering iron temperature 300°C, for 3 seconds

Note 1: Includes temperature rise caused by the current flow.

Note 2: The term "storage" refers to products stored for long period of time prior to mounting and use. Operating Temperature Range and Humidity range covers non- conducting condition of installed connectors in storage, shipment or during transportation.

Materials

Item	Part	Material	Finish	Remarks
Receptacles Plugs	Insulator	LCP	Black	UL94V-0
	Contacts	Phosphor bronze	Gold plating	—

Ordering information

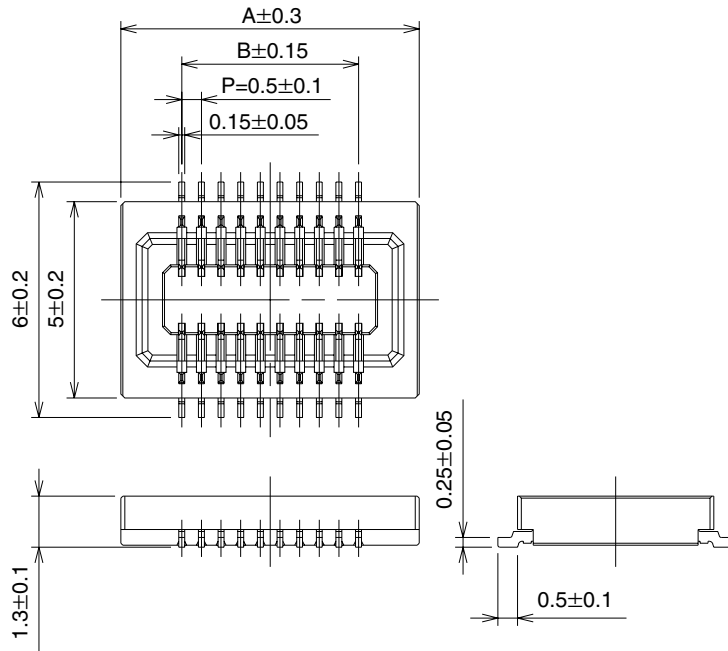
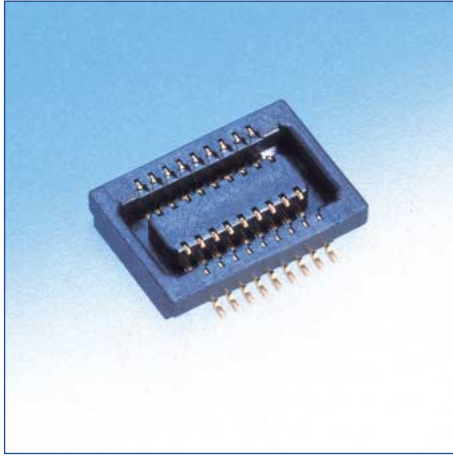
Receptacles/Plugs

DF **23** **C** - ***** **DS** - **0.5** **V** (******)
① ② ③ ④ ⑤ ⑥ ⑦ ⑧

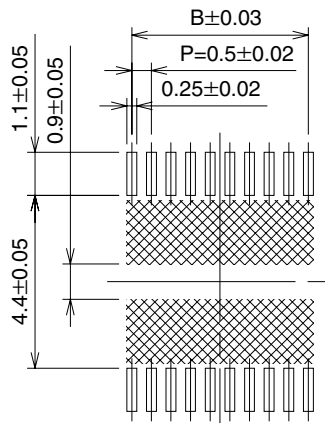
① Series name: DF	⑥ Contact pitch: 0.5mm
② Series No.: 23	⑦ Terminal type V: Straight SMT
③ Metal fitting & Locating boss type C: Without metal fittings, without Locating boss	
④ Number of contacts: 10, 14, 16, 18, 20, 30, 40, 50, (60) (Note)	⑧ Packaging type (51): Embossed tape packaging (2,000 pieces per reel) (53): Embossed tape packaging (3,000 pieces per reel)
⑤ Connector type DS: Double-row receptacle DP: Double-row Plug	

Note: Contact Hirose for availability of 60-contact type.

■ Receptacles



◆ Recommended PCB Footprints



Note: Shaded area should be free of any conductive traces.

[Packaging/ quantity per reel code] - **, (**)
 (51): Embossed tape packaging (2,000 pieces per reel)
 (53): Embossed tape packaging (3,000 pieces per reel)

Unit: mm

Product No.	CL No.	Number of Contacts	A	B	Remarks
DF23C-10DS-0.5V (**)	CL688-0306-9- **	10	5.1	2.0	
DF23C-14DS-0.5V (**)	CL688-0300-2- **	14	6.1	3.0	(Note 1)
DF23C-16DS-0.5V (**)	CL688-0307-1- **	16	6.6	3.5	(Note 1)
DF23C-18DS-0.5V (**)	CL688-0308-4- **	18	7.1	4.0	(Note 2)
DF23C-20DS-0.5V (**)	CL688-0301-5- **	20	7.6	4.5	(Note 1)
DF23C-30DS-0.5V (**)	CL688-0302-8- **	30	10.1	7.0	(Note 1)
DF23C-40DS-0.5V (**)	CL688-0303-0- **	40	12.6	9.5	(Note 1)
DF23C-50DS-0.5V (**)	CL688-0304-3- **	50	15.1	12.0	(Note 1)
DF23C-60DS-0.5V (**)	CL688-0305-6- **	60	17.6	14.5	(Note 3)

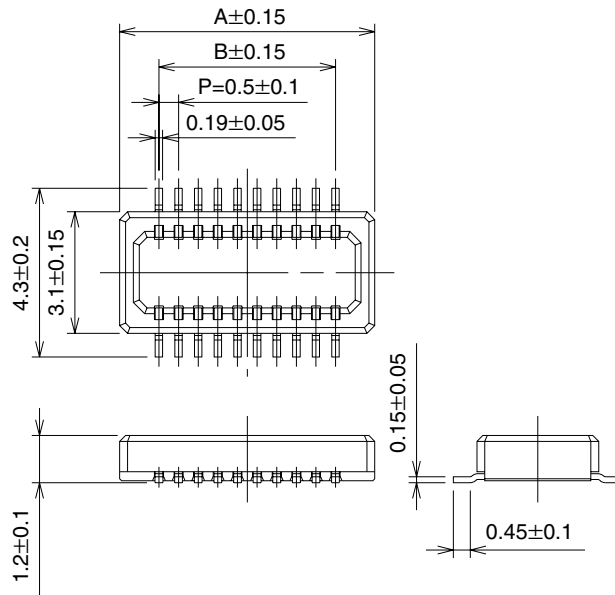
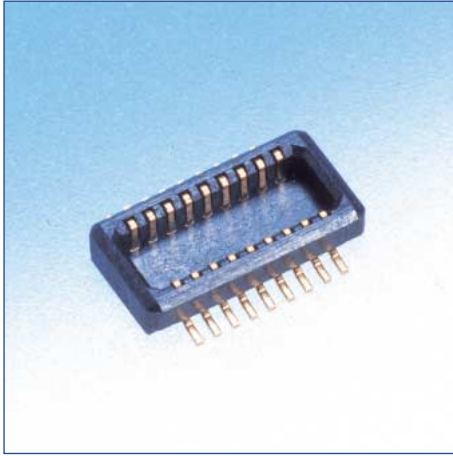
Note 1: Available in code (51) only.

Note 2: Available in code (53) only.

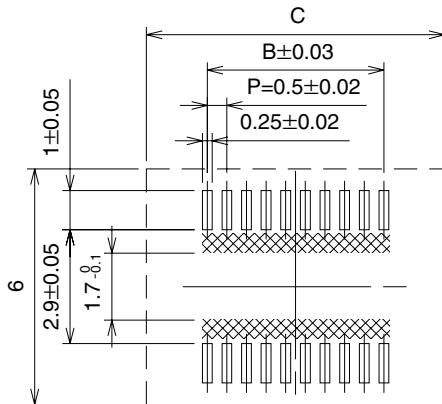
Note 3: Contact Hirose for availability.

Note 4: Please order embossed tape packaging items by the reel.

Plugs



Recommended PCB Footprints



Note 1: Shaded area should be free of any conductive traces.

Note 2: Do not leave any conductive traces or install components in this area.

[Packaging/ quantity per reel code] - ** , (**)
 (51): Embossed tape packaging (2,000 pieces per reel)
 (53): Embossed tape packaging (3,000 pieces per reel)

Unit: mm

Product No.	CL No.	Number of Contacts	A	B	C	Remarks
DF23C-10DP-0.5V (**)	CL688-0806-1- **	10	4.0	2.0	5.1	
DF23C-14DP-0.5V (**)	CL688-0800-5- **	14	5.0	3.0	6.1	(Note 1)
DF23C-16DP-0.5V (**)	CL688-0807-4- **	16	5.5	3.5	6.6	(Note 1)
DF23C-18DP-0.5V (**)	CL688-0808-7- **	18	6.0	4.0	7.1	(Note 2)
DF23C-20DP-0.5V (**)	CL688-0801-8- **	20	6.5	4.5	7.6	(Note 1)
DF23C-30DP-0.5V (**)	CL688-0802-0- **	30	9.0	7.0	10.1	(Note 1)
DF23C-40DP-0.5V (**)	CL688-0803-3- **	40	11.5	9.5	12.6	(Note 1)
DF23C-50DP-0.5V (**)	CL688-0804-6- **	50	14.0	12.0	15.1	(Note 1)
DF23C-60DP-0.5V (**)	CL688-0805-9- **	60	16.5	14.5	17.6	(Note 3)

Note 1: Available in code (51) only.

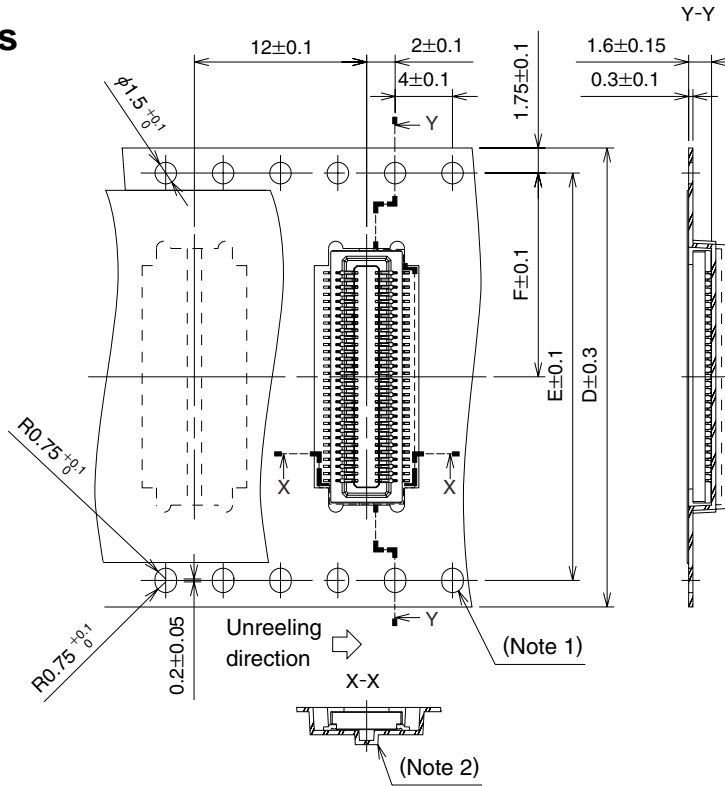
Note 2: Available in code (53) only.

Note 3: Contact Hirose for availability.

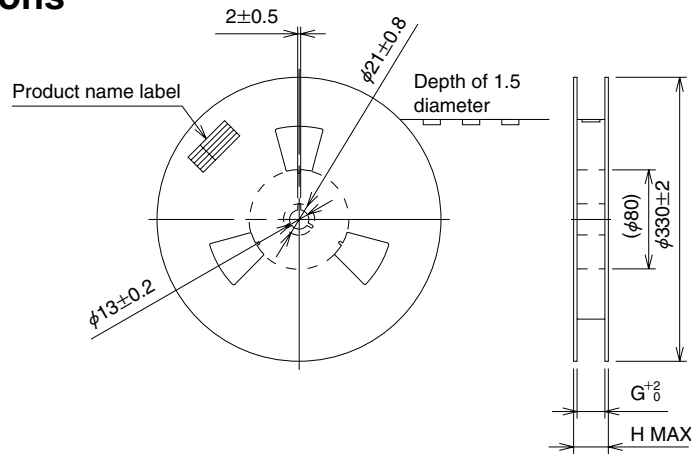
Note 4: Please order embossed tape packaged items by the reel.

◆ Embossed Career Tape Dimensions

■ Receptacles



■ Reel Dimensions



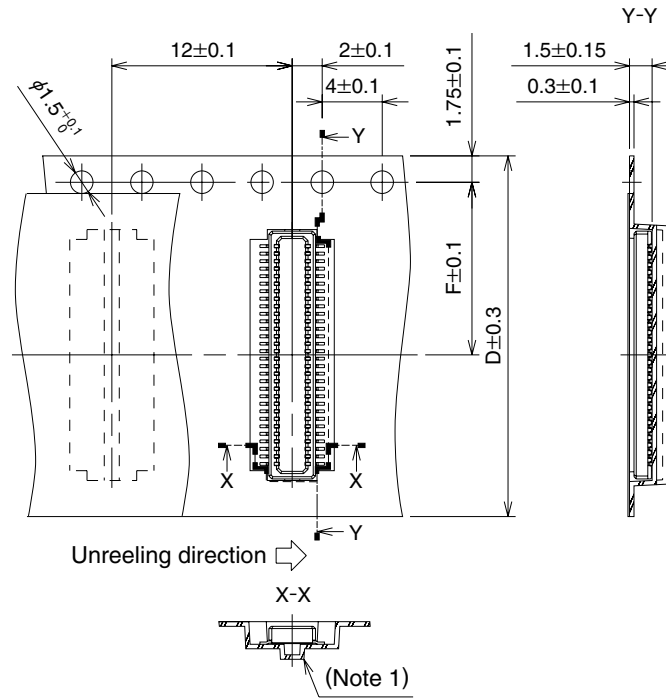
Unit: mm

Product No.	D	E	F	G	H
DF23C-10DS-0.5V (**)	12.0	—	5.5	12.4	18.4
DF23C-14DS-0.5V (**)	16.0	—	7.5	16.4	22.4
DF23C-16DS-0.5V (**)	16.0	—	7.5	16.4	22.4
DF23C-18DS-0.5V (**)	16.0	—	7.5	16.4	22.4
DF23C-20DS-0.5V (**)	16.0	—	7.5	16.4	22.4
DF23C-30DS-0.5V (**)	24.0	—	11.5	24.4	30.4
DF23C-40DS-0.5V (**)	24.0	—	11.5	24.4	30.4
DF23C-50DS-0.5V (**)	24.0	—	11.5	24.4	30.4
DF23C-60DS-0.5V (**)	32.0	28.4	14.2	32.4	38.4

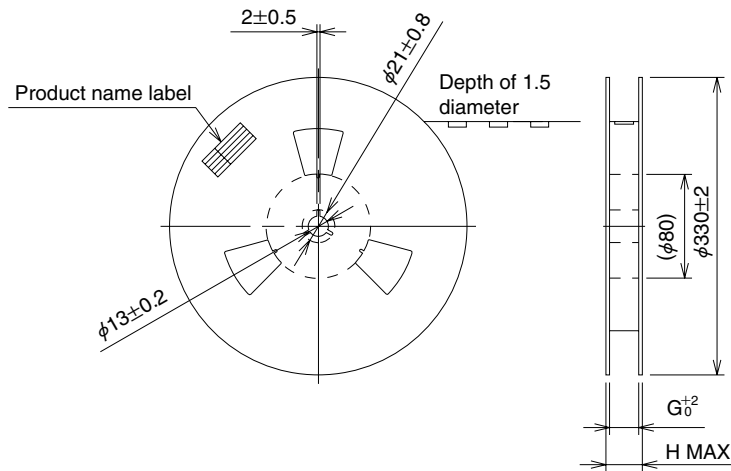
Note 1: This side feed hole is added to embossed tape where the D dimension is 32.0 min. wide.

Note 2: (53) packaging code embossed tape is without the bottom surface protrusion.

■Plugs



■Reel Dimensions

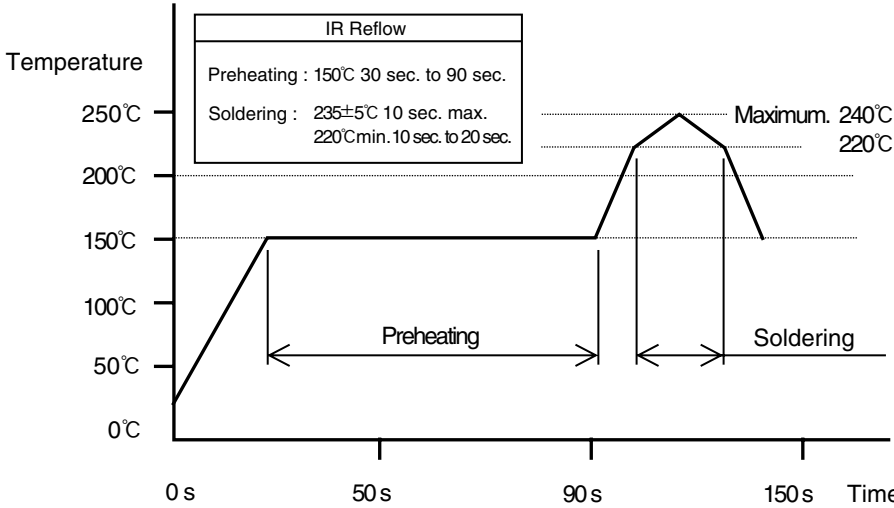


Unit: mm

Product No.	D	F	G	H
DF23C-10DP-0.5V (**)	12.0	5.5	12.4	18.4
DF23C-14DP-0.5V (**)	16.0	7.5	16.4	22.4
DF23C-16DP-0.5V (**)	16.0	7.5	16.4	22.4
DF23C-18DP-0.5V (**)	16.0	7.5	16.4	22.4
DF23C-20DP-0.5V (**)	16.0	7.5	16.4	22.4
DF23C-30DP-0.5V (**)	16.0	7.5	16.4	22.4
DF23C-40DP-0.5V (**)	24.0	11.5	24.4	30.4
DF23C-50DP-0.5V (**)	24.0	11.5	24.4	30.4
DF23C-60DP-0.5V (**)	24.0	11.5	24.4	30.4

Note : Code number (53) embossed tape is without the bottom surface protrusion.

◆ Usage Precautions

<p>1.Recommended Temperature Profile Temperature</p>	 <p>The graph shows the temperature profile for IR reflow. The y-axis is Temperature (0°C to 250°C) and the x-axis is Time (0s to 150s). The profile starts at 0°C, rises to 150°C by 30s, and remains at 150°C until 90s (Preheating). It then rises to a peak of 240°C, stays there for 10s, and then falls back to 150°C by 150s (Soldering). A box labeled 'IR Reflow' contains the following details: Preheating: 150°C 30 sec. to 90 sec.; Soldering: 235±5°C 10 sec. max., 220°C min. 10 sec. to 20 sec. The maximum temperature is 240°C and the minimum during soldering is 220°C.</p> <p>Note 1: Up to 2 cycles are possible under the same conditions provided that there is a return to normal temperature between the first and second cycle.</p> <p>Note 2: This temperature profile indicates the temperature of the connector terminal lead at the point of contact with the PCB.</p>																			
<p>2.Recommended Manual Soldering Conditions</p>	<p>Temperature: 290°C±10°C, Soldering time: within 2 sec.</p>																			
<p>3.Recommended Screen Thickness and Open Area Ratio (Pattern Area Ratio)</p>	<ul style="list-style-type: none"> ■ IR only, or with the addition of hot air (at the recommended temperature profile) <ul style="list-style-type: none"> Thickness : 0.12 to 0.15mm Open Area ratio: 100% ■ Together with the N2 gas <ul style="list-style-type: none"> Set the open area ratio according to the following guide. <p>Open Area Ratio</p> <table border="1" data-bbox="472 1146 1040 1300"> <thead> <tr> <th rowspan="2">Thickness</th> <th colspan="4">Maximum Temperature (5 sec. max.)</th> </tr> <tr> <th>220°C</th> <th>230°C</th> <th>240°C</th> <th>250°C</th> </tr> </thead> <tbody> <tr> <td>0.12mm</td> <td>100%</td> <td>100%</td> <td>70%</td> <td>50%</td> </tr> <tr> <td>0.15mm</td> <td>100%</td> <td>80%</td> <td>60%</td> <td>50%</td> </tr> </tbody> </table> <p>(Maximum temperature -20°C): 30 sec. max.</p>	Thickness	Maximum Temperature (5 sec. max.)				220°C	230°C	240°C	250°C	0.12mm	100%	100%	70%	50%	0.15mm	100%	80%	60%	50%
Thickness	Maximum Temperature (5 sec. max.)																			
	220°C	230°C	240°C	250°C																
0.12mm	100%	100%	70%	50%																
0.15mm	100%	80%	60%	50%																
<p>4.Board Warping</p>	<p>Maximum of 0.03 mm at the connector center section, with both ends of the connector as reference points.</p>																			
<p>5.Cleaning Conditions</p>	<p>Refer to the "Nylon Connector Use Handbook."</p>																			
<p>6.Use and handling precautions.</p>	<ul style="list-style-type: none"> ■ When manually handling the connectors avoid touching any portion of exposed terminal leads. This may cause deformation and lead to difficulties with placement and soldering on the PCB. When mating/un-mating do not use excessive force or lifting of one side only. 																			

U.S.A.:

HIROSE ELECTRIC U.S.A., INC.

2688 Westhills Court, Simi Valley, CA 93065-6235
Phone : 1 805 522 7958
Fax : 1 805 522 3217
<http://www.hirose.com>

UNITED KINGDOM:

HIROSE ELECTRIC UK LTD.

Crownhill Business Centre 22 Vincent Avenue
Crownhill, Milton Keynes MK8 OAB
Phone : 44 1908 305400
Fax : 44 1908 305401
<http://www.hirose.co.uk>

HONG KONG:

HIROSE ELECTRIC CO., LTD.

Unit 506, Energy Plaza. 92 Granville Road, Tsim Sha
Tsui East, Kowloon
Phone : 852 2803 5338
Fax : 852 2591 6560

EUROPE BRANCH:

HIROSE ELECTRIC CO., LTD.

First Class Building 4F, Beechavenue 46.1119PV
Schiphol-Rijk, The Netherlands
Phone : 31 20 6557 460
Fax : 31 20 6557 469
<http://hiroseeurope.com>

KOREA:

HIROSE KOREA CO., LTD.

(#2NA311, Shihwa Industrial Complex),
1261-10, Jeoungwhang-Dong, Shihung-City, Kyunggi-Do
Phone : 82 31 496 7000,7124
Fax : 82 31 496 7101
<http://www.hirose.co.kr>

TAIWAN:

HIROSE ELECTRIC CO., LTD.

No.28 Lane 247 Sec. 2 Yen Ping N,Rd.Taipei
Phone : +886 2 2557 7351,7352
Fax : +886 2 2552 9851

GERMANY:

HIROSE ELECTRIC GmbH

Zeppelinstrasse 42 D-73760 Ostfildern Kemnat
Phone : 49 711 4560021
Fax : 49 711 4560729
<http://www.hirose.de>

CHINA:

HIROSE ELECTRIC CO., LTD.

10F, No.06, Shanghai Times Square office Tower,
93. Huai Hai Zhong Road, Luwan Shanghai
Phone : 86-21-6391-0011
Fax : 86-21-6391-0101

SINGAPORE:

HIROSE ELECTRIC CO., LTD.

10 Anson Road #34-13 International Plaza 079903
Phone : 65 324 6113
Fax : 65 324 6123



HRS

HIROSE ELECTRIC CO., LTD.

5-23, OSAKI 5-CHOME, SHINAGAWA-KU, TOKYO 141-8587, JAPAN
PHONE: 81-3-3491-9741, FAX: 81-3-3493-2933
